

Another possible accessories:



MKA
 f. Type R...G
 Foot



BG
 Protection
 guard



GS
 ON-OFF switch



POT 1
 Control unit
 (electronically)

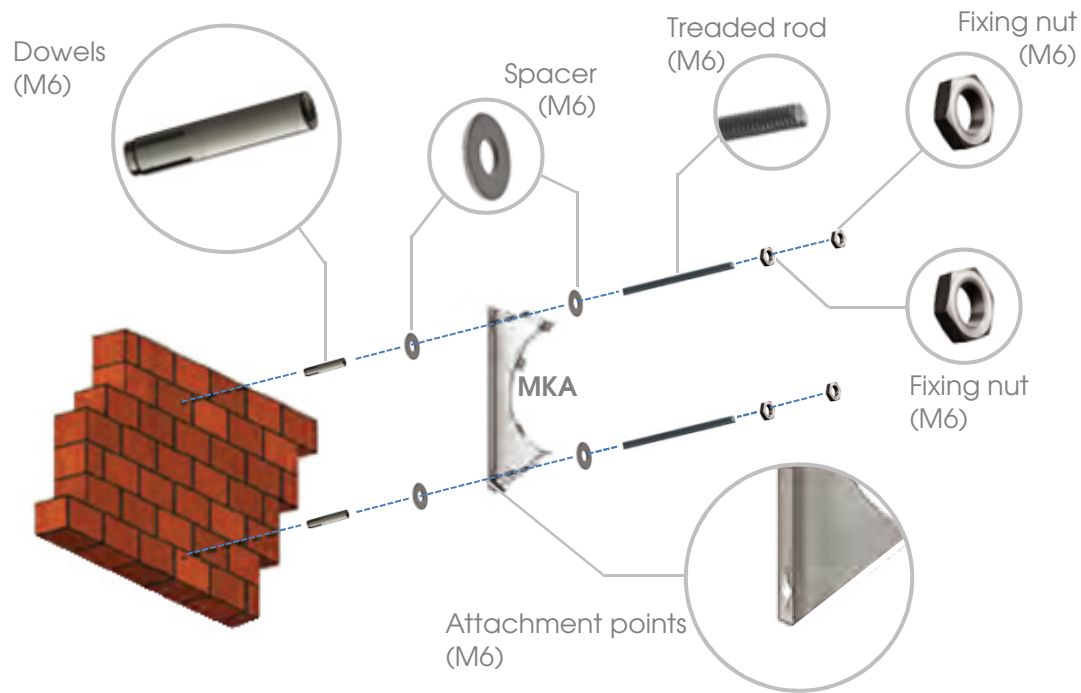


POT 2
 Control unit
 (electronically)

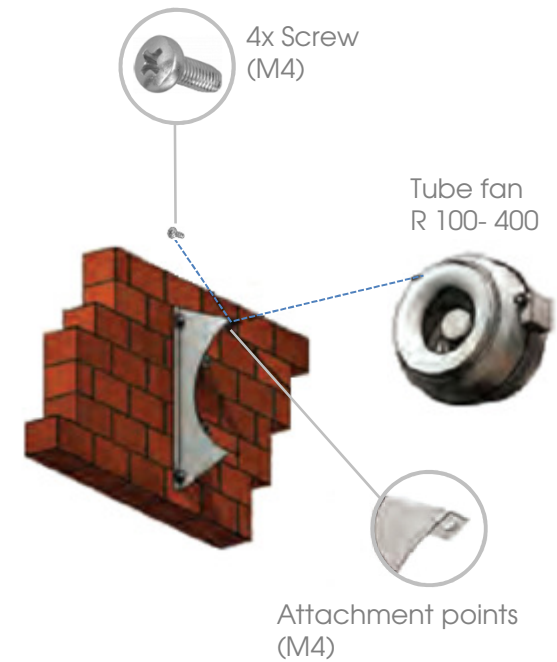


Wall mounting
 of the tube fan **Type R...G** with foot (MKA)
 Mounting hardware is **not** included!

Step 1
 Installation foot (MKA)



Step 2
 Installation tube fan (R)

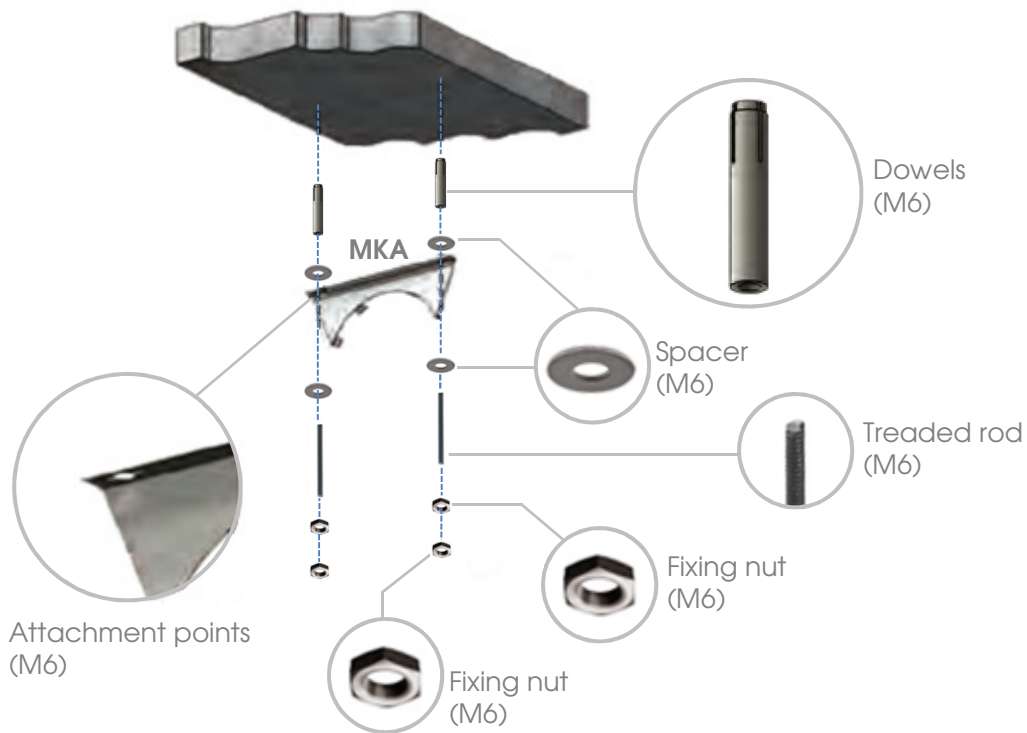




Ceiling mount
 of the tube fan **Type R...G** with foot (MKA)
 Mounting hardware is **not** included!

Step 1

Installation foot (MKA)



Step 2

Installation tube fan (R)

