

Construction scheme:



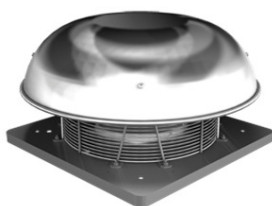
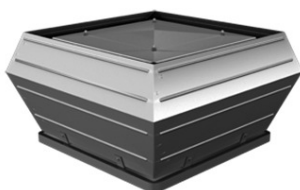
DV(S) / DVW(S)
Roof fan
vertical outlet



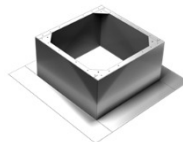
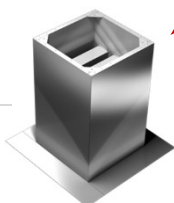
DH / DHW
Roof fan
horizontal outlet



DVWN(S)
Roof fan
vertical outlet
Outside motor



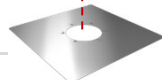
SD
Socket sound absorber



FS
Flat roof socket
insulated



AP
Adapter plate



VS
Shutter automatic



ASS
Flexible tube
connection



ASF
Flange



Another possible accessories:



VM
Shutter motor driven



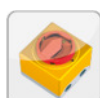
BG
Protection guard



KR
Swing-out frame

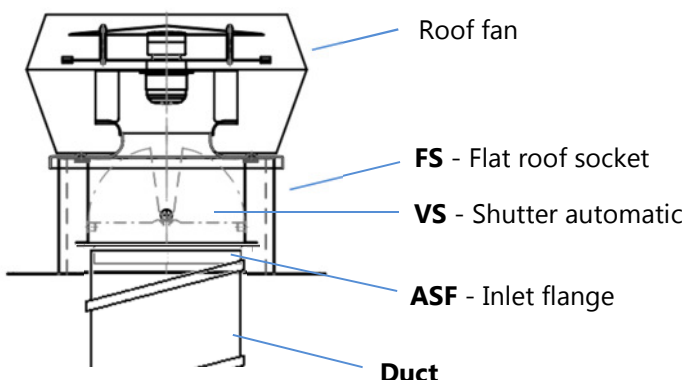


SDS
Base for sloping roof 1-45°



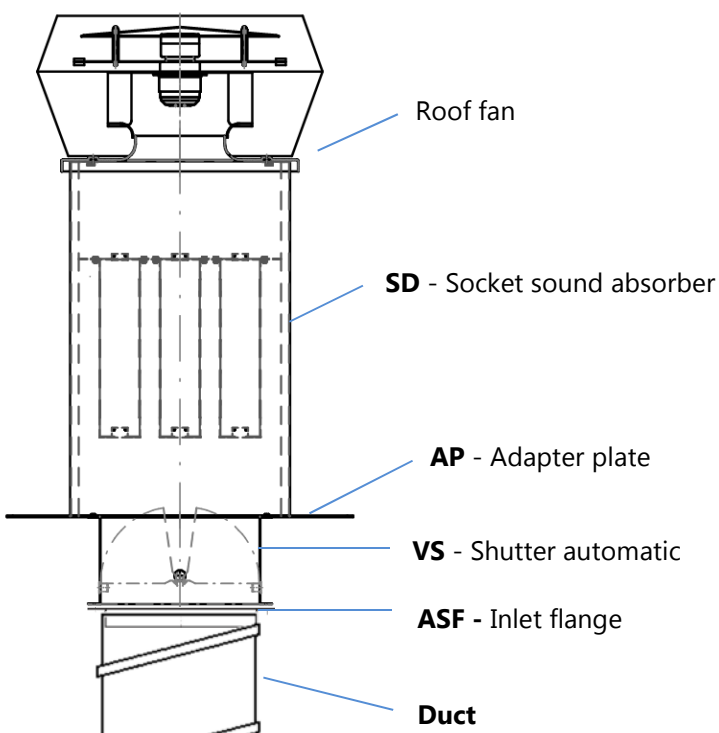
Installation notes with shutter automatic VS:

Installation in conjunction with Flat roof socket (FS)

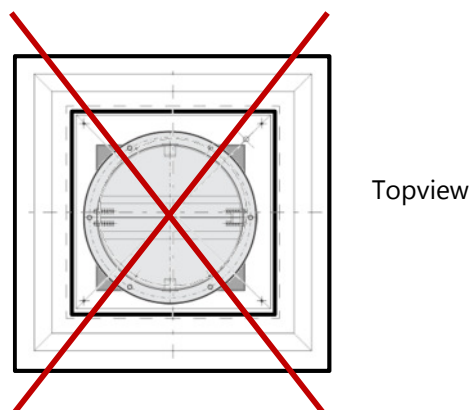
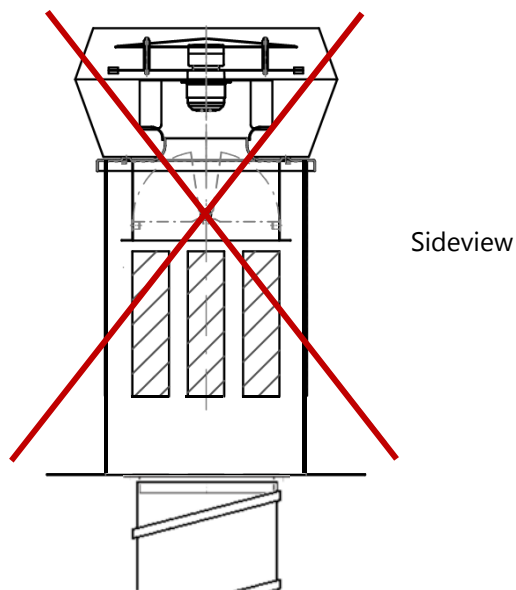


Installation in conjunction with Socket sound absorber (SD)

RIGHT



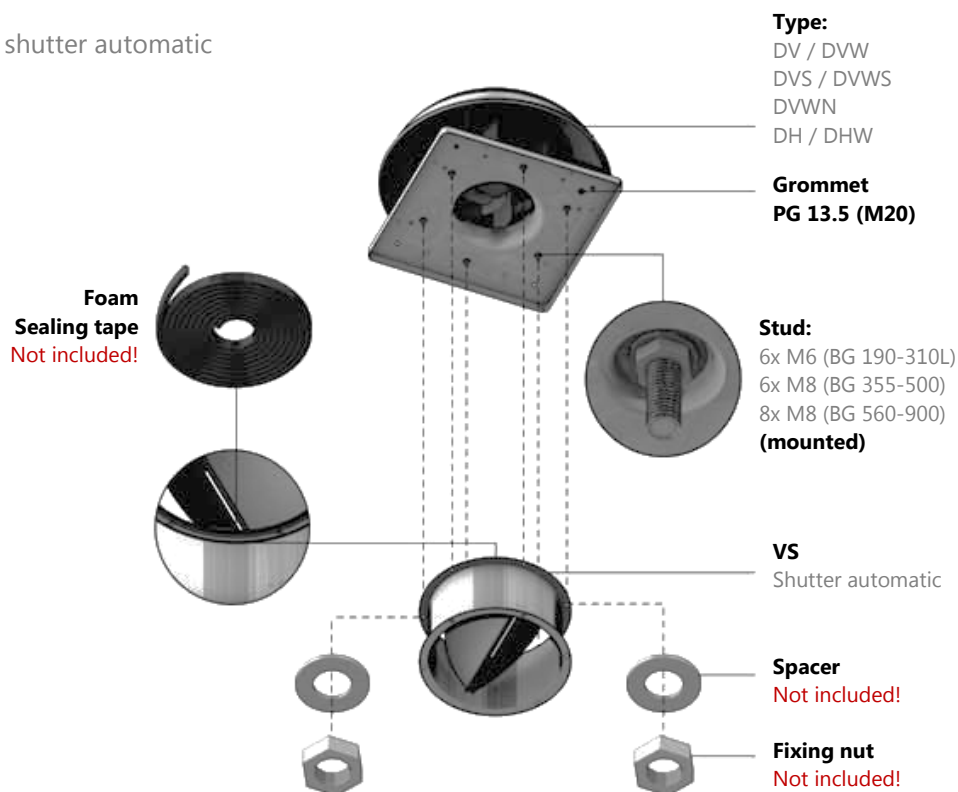
WRONG



Installation of accessories

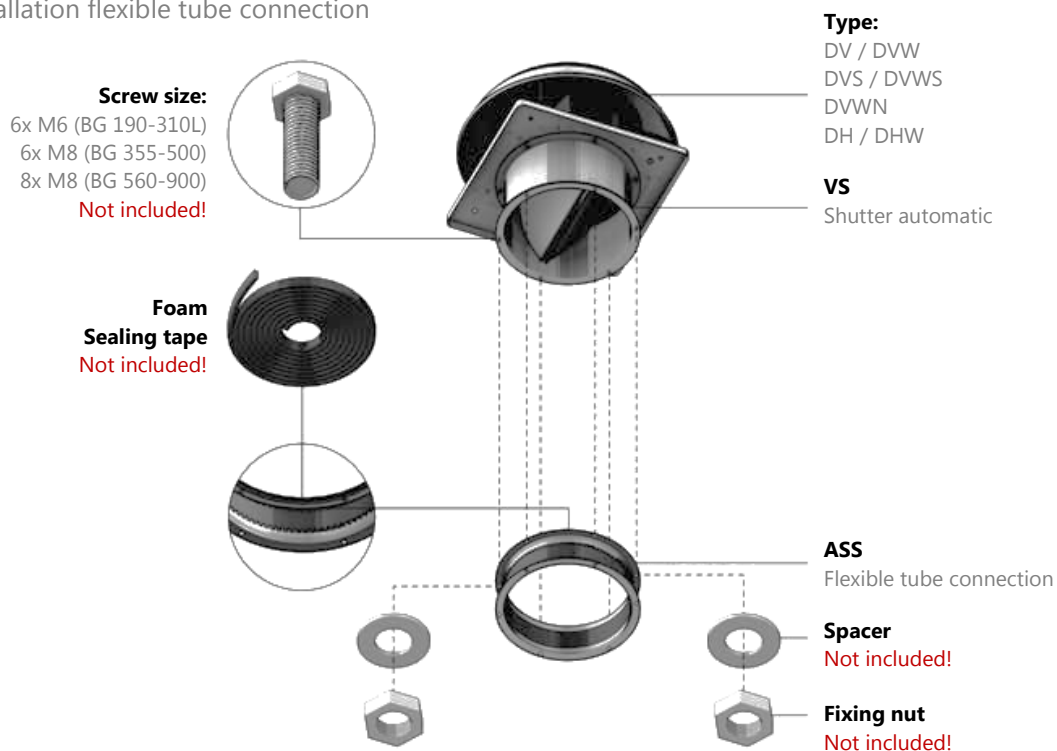
Step 1

Installation shutter automatic



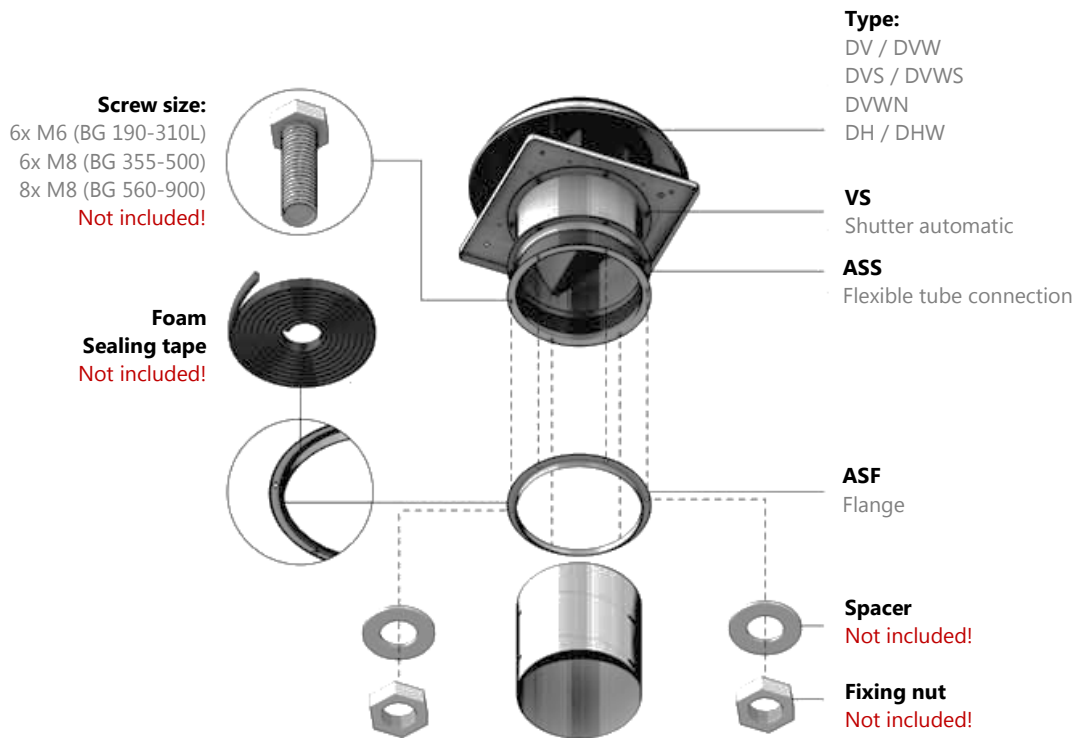
Step 2

Installation flexible tube connection



Step 3

Installation flange



Step 4

Installation Flat roof socket

